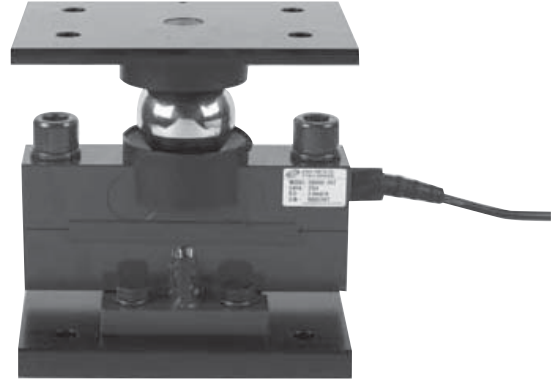
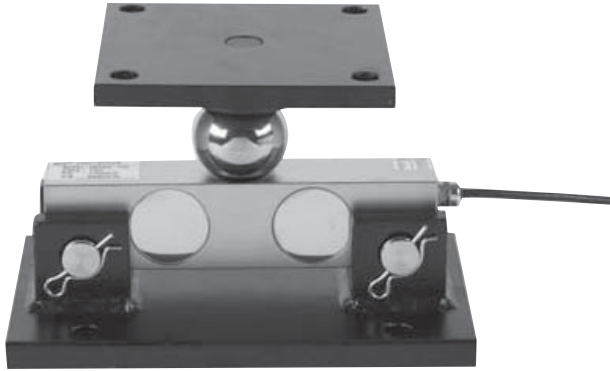


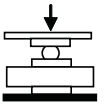
## SB900

### Truck Weighing Load Cell 10tf~25tf

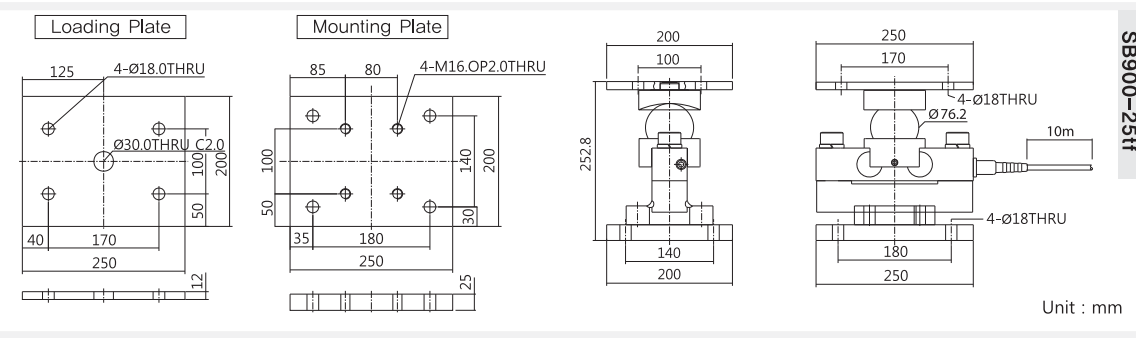
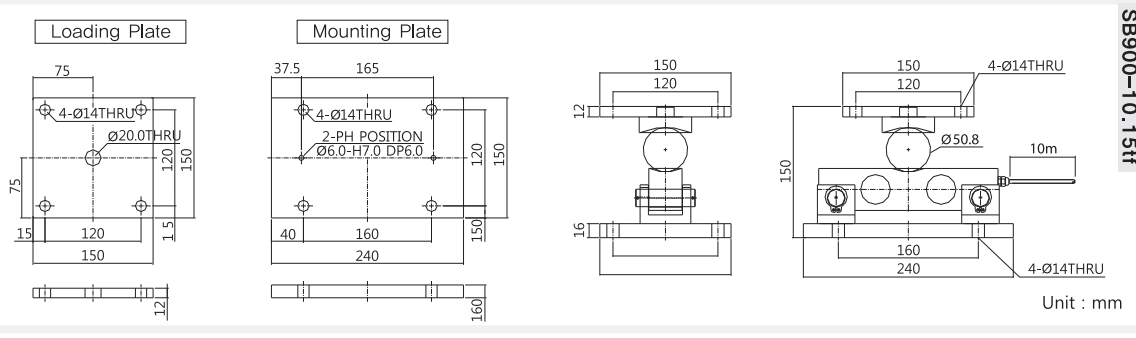


#### Feature

- Robust Design and Easy Installation
- Strong Against Shock or Side Force
- Protection Class IP67
- Paint Finished Steel
- Braided Shield 4-Wire Round Cable



Rated capacity (R.C)	tf	10, 15, 25tf
Rated Output (R.O)	mV / V	2,0 ± 0,005
Zero Balance	mV / V	0 ± 0,02
Combined Error	%	0,03
Repeatability	%	0,01
Creep (30min.)	%	0,03
Temperature Effect on		
Zero Value	% / 10°C	0,028
Output Value	% / 10°C	0,015
Excitation		
Recommended	V	10
Maximum	V	15
Resistance		
Input	Ω	800 ± 40
Output	Ω	700 ± 7
Insulation	MΩ	> 2000
Compensated Temp Range	°C	-10 to + 40
Operating Temp Range	°C	-20 to + 80



CABLE	COLOR CODE
EXC +	(RED)
EXC -	(WHITE)
SIG +	(GREEN)
SIG -	(BLUE, BLACK)
SHLD	(YELLOW)