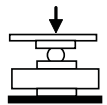
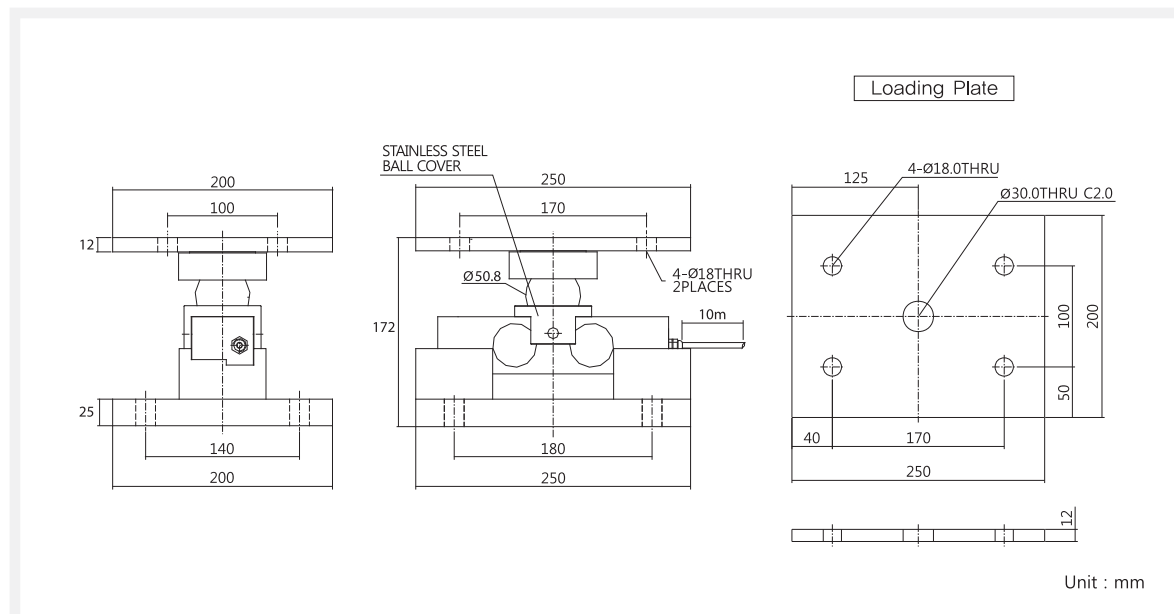


Feature

- Robust Design and Easy Installation
- Strong Against Shock or Side Force
- Nickel Plated Steel
- Braided Shield 4-Wire Round Cable



Rated capacity (R.C)	tf	10, 15, 25tf
Rated Output(R.O)	mV / V	3,0 ± 0.006
Zero Balance	mV / V	0 ± 0.03
Combined Error	%	0.03
Repeatability	%	0.02
Creep (30min.)	%	0.03
Temperature Effect on		
Zero Value	% / 10°C	0.03
Output Value	% / 10°C	0.015
Excitation		
Recommended	V	10
Maximum	V	15
Resistance		
Input	Ω	800 ± 40
Output	Ω	700 ± 7
Insulation	MΩ	> 2000
Compensated Temp Range	°C	-10 to + 40
Operaing Temp Range	°C	-20 to + 80



CABLE	COLOR CODE
EXC +	(RED)
EXC -	(WHITE)
SIG +	(GREEN)
SIG -	(BLUE, BLACK)
SHLD	(YELLOW)