

OIML certificate of conformity:  
R60-2000 NL1 10.10

Capacity	Accuracy	Part-Number
10 t	C3	BM14G-C3-10t-18B-W1
20 t	C3	BM14G-C3-20t-18B-W1
30 t	C3	BM14G-C3-30t-18B-W1
40 t	C3	BM14G-C3-40t-18B-W1
50 t	C3	BM14G-C3-50t-18B-W1
10 t	C4	BM14G-C4-10t-18B-W1
20 t	C4	BM14G-C4-20t-18B-W1
30 t	C4	BM14G-C4-30t-18B-W1
40 t	C4	BM14G-C4-40t-18B-W1
50 t	C4	BM14G-C4-50t-18B-W1

RoHS      



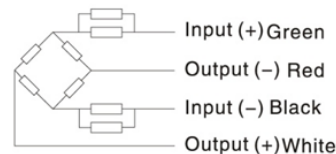
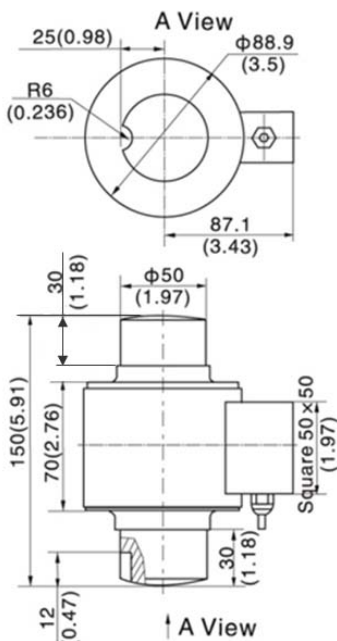
- Stainless steel IP68 compression load cell
- Hermetically sealed
- Suitable for vehicle and hopper scales and vehicle testing facilities
- Built in surge arrestors

## Specification:

Accuracy class		OIML R60 C4	OIML R60 C3
Output sensitivity ( = FS )	mV/V	2.0 ± 0.02 <sup>(1)</sup>	
Maximum capacity ( E <sub>max</sub> )	t	10, 20, 30, 40, 50	
Maximum number of load cell intervals ( n <sub>LC</sub> )	n <sub>max</sub>	4000	3000
Ratio of minimum LC verification interval Y = E <sub>max</sub> / v <sub>min</sub>	Y	14000	10000
Certificate number		TC 7815	TC 7815 D09-05.21R1
Combined Error	%FS	≤ ± 0.018	≤ ± 0.020
Minimum dead load	t	0	
Safe overload	of E <sub>max</sub>	150 %	
Ultimate overload	of E <sub>max</sub>	300 %	
Zero balance	of FS	≤ ± 1.0 %	
Excitation, recommended voltage	V	5 ~ 12	
Excitation maximum	V	18	
Terminal resistance, input	Ω	700 ± 7	
Terminal resistance, output	Ω	700 ± 7	
Insulation impedance	MΩ	≥ 5000 ( at 50VDC )	
Temperature range, compensated	°C	-10 ~ +40	
Temperature range, operating	°C	-35 ~ +65	
Element material		Stainless steel	
Ingress Protection (according to EN 60529)		IP68	
ATEX classification (optional)		II1G Ex ia II1C T4	II1D Ex iaD 20 T73°C II3G nL IIC T4

Note 1: The sensitivity is set in such a way that there is a standard current (SC) to obtain easier corner correction.

## Outline Dimensions in mm (Inch)



### Wiring:

Adopt shielded, 4 conductor cable: φ5mm  
Standard cable length: 18m

### Recommended mounting hardware:

- BY-14-108- 10t/50t
- BY-14-125- 10t/50t
- BY-14-126- 10t/50t
- BM14G-W1 mounting kit

Please visit our website [WWW.ZEMIC.NL](http://WWW.ZEMIC.NL) for the most actual information

Nr. 2012.10 BM14G Rev9