

Capacity	Accuracy	Part-Number
15 t	G10	H10J-15t-30
15 t	G10	H10J-15t-31

RoHS



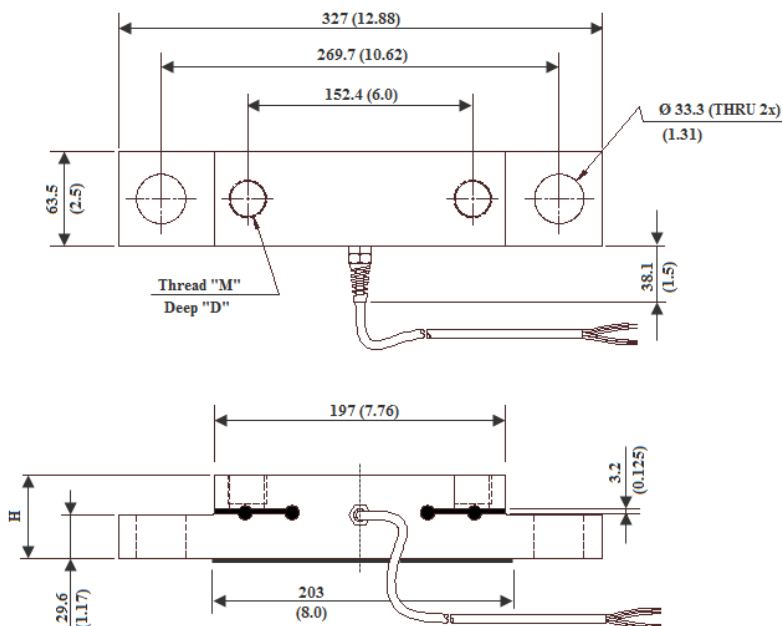
- Alloy steel load cell
- Nickel plated
- Adhesive sealed
- Suitable for on board weighing



Specifications:

Part Number		H10J-15t-30	H10J-15t-31
Output sensitivity at 6t	mV/V	0.500 ± 0.05 @ 6t	0.450 ± 0.05 @ 6t
Cable length	m		10
Maximum static capacity (E _{max})			15 t
Non repeatability	%FSO		≤ ± 0.100
Creep	%FSO/20min		≤ ± 0.100
Combined Error	%FS		≤ ± 1.000
Safe overload	of E _{max}		120 %
Ultimate overload	of E _{max}		150 %
Zero balance	of FS		≤ ± 2.0 %
Excitation, recommended voltage	V		5 ~ 12
Excitation maximum	V		18
Terminal resistance, input	Ω		387 ± 25
Terminal resistance, output	Ω		350 ± 3.5
Temperature sensitivity zero output	%FSO/10°C		≤ ± 0.200
Insulation impedance	MΩ		≥ 5000 (at 50VDC)
Temperature range, compensated	°C		-10 ~ +40
Temperature range, operating	°C		-35 ~ +65
Element material		Alloy steel nickel plated	
Ingress Protection (according to EN 60529)		IP67	

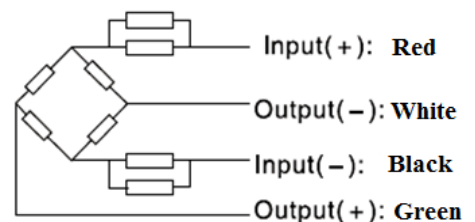
Outline Dimensions in mm (Inch)



Part number	Thread "M"	Deep "D"	H
H10J-15t-30	1-14-UNS	20.3 (0.8)	56.5 (2.22)
H10J-15t-31	1-12-UNF	25.4 (1.0)	62 (2.44)

Wiring:

Shielded 4 wire cable.
Jacket is black PUR
Shield is not connected to element



Please visit our website WWW.ZEMIC.NL for the most actual information

Nr. 2011.09 H10J-30-31 Rev0