

Load Cell - Canister compression type : SC510

Home > Product > Load Cell > Canister compression type > SC510



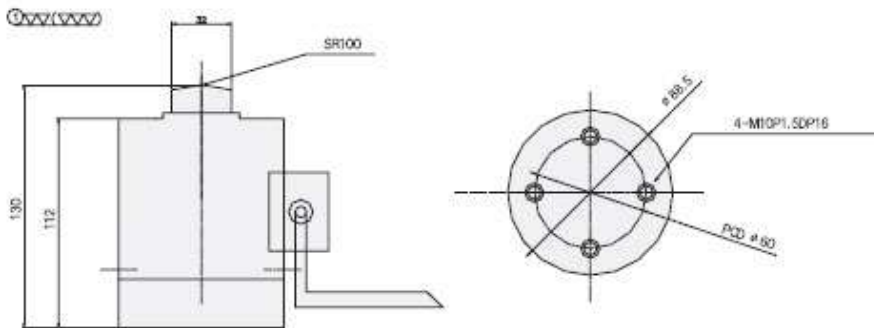
Feature

- Hermetically sealed
- Robust design
- Compression only

OPTIONS

- Stainless steel
- High accuracy grade

DIMENSIONS



Material
Nickel plated steel

Cable
Braided shield 4-wire round cable

Model	Capacity	A	B	C	D	E	F
CS500,510	100K~5tf	24	88.5	60	116.5	130	4-M10xP1.5
	10tf	32	88.5	60	116.5	130	4-M10xP1.5
	20tf	32	88.5	60	116.5	130	4-M10xP1.5
	30tf	32	88.5	60	116.5	130	4-M10xP1.5
	50tf	55	88.5	60	136	156	4-M10xP1.5
	100tf	55	164	90	180	200	4-M14xP2.0
	200tf	95	164	100	180	200	4-M14xP2.0

 Specification

MODEL	kgf	SC510	SC520
Rated capacity	kgf	100, 200, 300, 500, 1tf, 2tf, 3tf, 5tf, 10tf, 20tf, 30tf, 100tf, 200tf	
Rated output	mv.v	2 ± 0.005	
Combined error	%R.O	≤0.1	≤0.05
Repeatability	%R.O	≤0.1	≤0.02
Creep for 20min	%R.O	≤0.1	≤0.02
Zero blance	%R.O	≤ ± 1	
Temperature effect on			
Zero calue	%R.O/10°C	≤0.03	
Output Value	%R.O/10°C	≤0.03	
Compensated temperature range	°C	-10 ~ 40	
Operating temperature range	°C	-20 ~70	
Excitation			
Recommended	V	10	
Maximum	V	15	
Resistance			
Input	Ω	350 ± 3.5	
Output	Ω	350 ± 5	
Insulation	MΩ	>2000	
Cable		5.7 x 4P x 3m, urethan shield	
Safty overload	%R.C	150	