

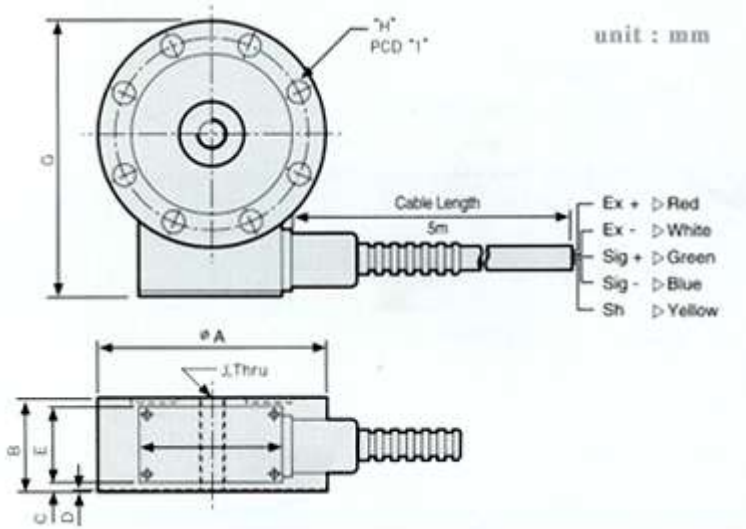


[Model] SL400 : 1tf ~ 100tf

>> Features <<

- Hermetically sealed
- High reliability against fatigue and force
- Options : High accuracy grade
Stainless steel

>> Dimensions <<



[Material]

- Nickel plated steel
- Paint finished steel

[Cable]

- Braided shield 4-wire round cable

Model	Capacity	$\varnothing A$	B	C	D	E	F	G	H	I	J
SL400-1tf	1tf	112	46	4	1	38	68	141.5	8- \varnothing 6.6	97.2	M16x2.0
SL400-2tf	2tf										
SL400-3tf	3tf	112	46	4	1	38	68	141.5	8- \varnothing 6.6	97.2	M16x2.0
SL400-5tf	5tf	120	46	4	1	38	68	149.5	8- \varnothing 9	103.2	M18x1.5
SL400-10tf	10tf	138	60	11	1	38	68	167.5	8- \varnothing 11	117.6	M24x2.0
SL400-20tf	20tf	184	80	21	1	38	68	213.5	8- \varnothing 14	157.6	M39x2.0
SL400-50tf	50tf	200	60	11	1	38	68	229.5	12- \varnothing 14.3	170	M45x3.0
SL400-100tf	100tf	278	90	31	1	38	68	307.5	16- \varnothing 16.3	229	M70x3.0

>> Specification <<

Rated capacity(R.C)		tf	1,2,3,5,10,20,50,100tf	
Rated output(R.O.)		mV/V	2.0 ± 0.005	
Zero balance		mV/V	0 ± 0.02	
Accuracy class			H	G
Combined error		%	0.02	0.05
Repeatability		%	0.01	0.02
Creep for 30min		%	0.03	0.03
Temperature effect on	Zero Value	%/10C	0.03	0.03
	Output Value	%/10C	0.03	0.03
Excitation	Recommended	V	10	
	Maximum	V	15	
Resistance	Input	ohm	400 ± 30	
	Output	ohm	350 ± 3.5	
	Insulation	M ohm	> 2000	
Compensated temperature range		C	-10to + 40	
Operating temperature range		C	-30to + 80	