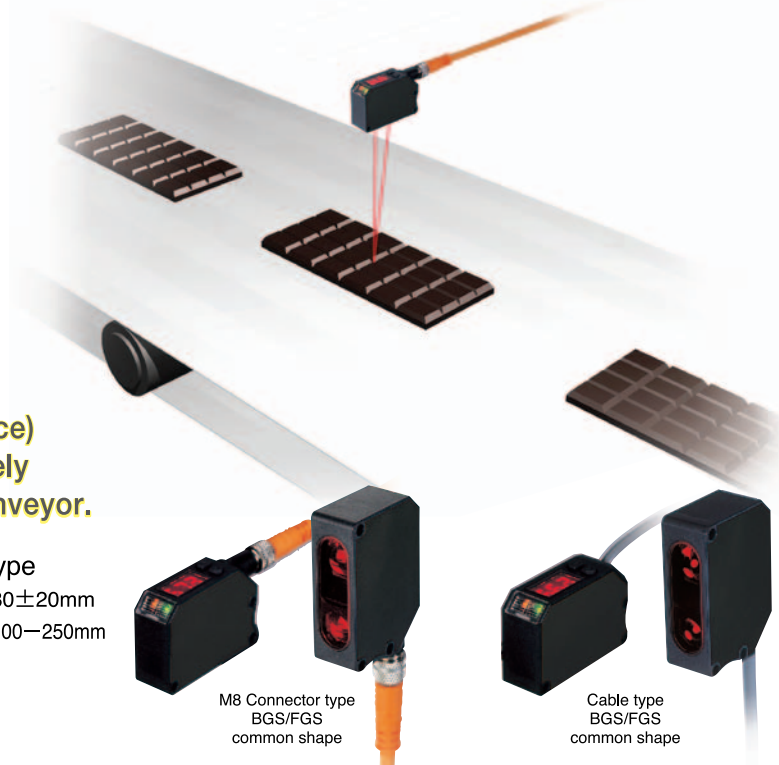


For thin and / or flat substance
on a vibrating conveyor

FGS-D series

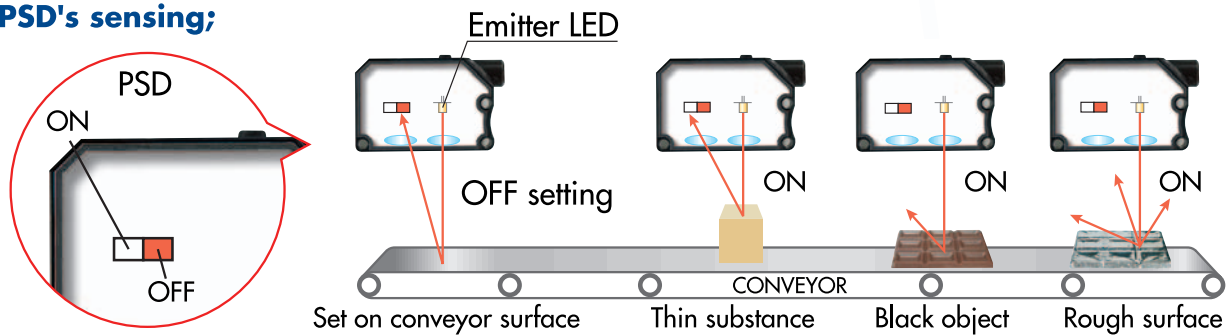
High-grade PSD (Position Sensing Device)
implemented in a compact body precisely
detects thin substance on a running conveyor.

- Cable type
FGS-D10N(P) : 80±20mm
FGS-D25N(P) : 100—250mm
- M8 Connector type
FGS-D10CN(P) : 80±20mm
FGS-D25CN(P) : 100—250mm



Features

FGS(Foreground Suppression) **successfully detects rough and black surface because of PSD's sensing;**



Mechanical toughness tested to 100G shock resistance.

Unaffected by color and / or surface

BGS-D series

- Cable type
BGS-D10N(P) : 50—100mm
BGS-D30N(P) : 100—300mm
- Connector type
BGS-D10CN(P) : 50—100mm
BGS-D30CN(P) : 100—300mm

Features

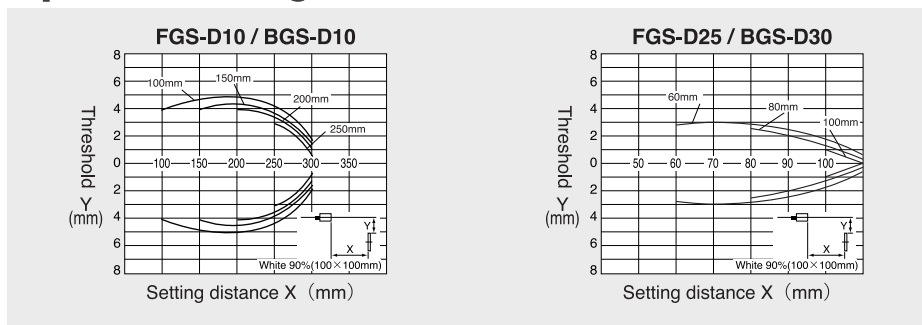
BGS-D approaches in other optical way than FGS-D. As all the product of OPTEX's BGS family, precise detection is possible unaffected by color and/or surface.



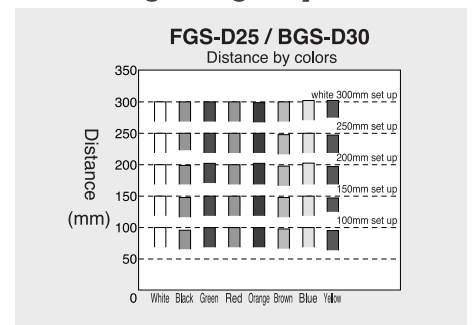
Specifications

	FGS - D series		BGS - D series	
	100mm distance	250mm distance	100mm distance	300mm distance
Cable type NPN/PNP	FGS - D10N / FGS - D10P	FGS - D25N / FGS - D25P	BGS - D10N / BGS - D10P	BGS - D30N / BGS - D30P
M8 connector type NPN/PNP	FGS - D10CN / FGS - D10CP	FGS - D25CN / FGS - D25CP	BGS - D10CN / BGS - D10CP	BGS - D30CN / BGS - D30CP
Spot size	Ø4mm at 100mm	Ø11mm at 300mm	Ø4mm at 100mm	Ø11mm at 300mm
Sensing range	80 ± 20 mm	100 - 250 mm	50 - 100 mm	100 - 300 mm
Light source	Red			
Response time	2.5 msec Max			
Sensitivity adjustment	Digital setting			
Hysteresis	3% Max	10% Max	3% Max	10% Max
Numerical display	(1)Threshold(2)Distance			
Indicator	Output active(Orange), Stable status(Green)			
Control output	NPN or PNP Open collector, 100mA Max / 30V DC			
Operation Mode	Light ON/Dark ON switchover			
Supply voltage	10 to 30 V DC including 10% of ripple			
Power consumption	60mA / 10V, 25mA / 30V			
Circuit protection	Reverse Polarity, Short Circuit			
Timer	0 - 10 sec			
Noise resistance	Radiation:EN60947-5-2, Immunity:EN60947-5-2			
Conformity	JIS, UL, CE, VDE(Class 3)			
Ambient Temp/Humid	Operation(-25 to 55 °C, 35-85% RH), Storage(-40 to 70 °C,35-95% RH)			
Environment illuminance	Sunlight:10,000lux max., Incandescent lamp:3,000 lux max.			
Vibration resistance	10 50 55 Hz amplitude 1.5mm, X-Y-Z for 2 hours			
Shock resistance	100G(1,000m/S ²),X-Y-Z axis 3times			
Protection category	IP67			
Option	(1)Teach-in type(2)Additional long cable 5 meter			

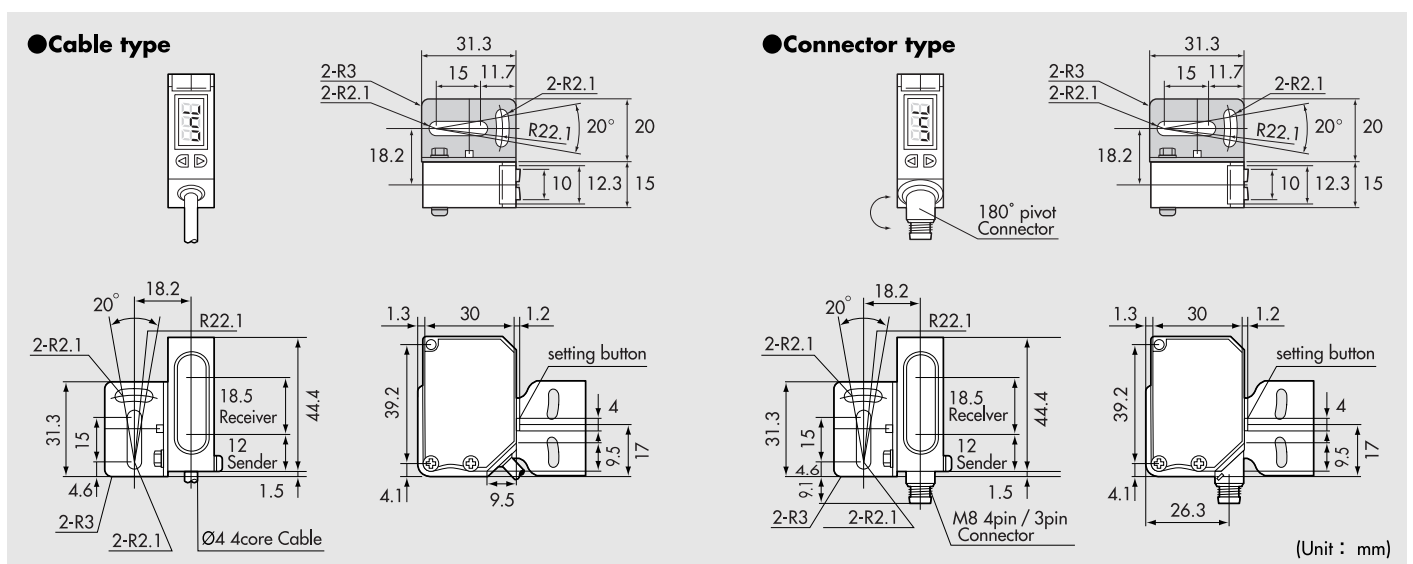
Operation range



Scanning range by material



Dimensions



*Technical date, specsheet, instruction manual and this catalogue is available for download. Visit our Website ; <http://www.optex-fa.com>
For technical support please call our authorized distributor in your country that is also listed in our Website.



OPTEX FA CO., LTD.

607-8085 Kyoto, Yamashina-ku, Takehanadounomae-cho 46-1, Japan
TEL +81-75-594-8123 FAX +81-75-594-8124