

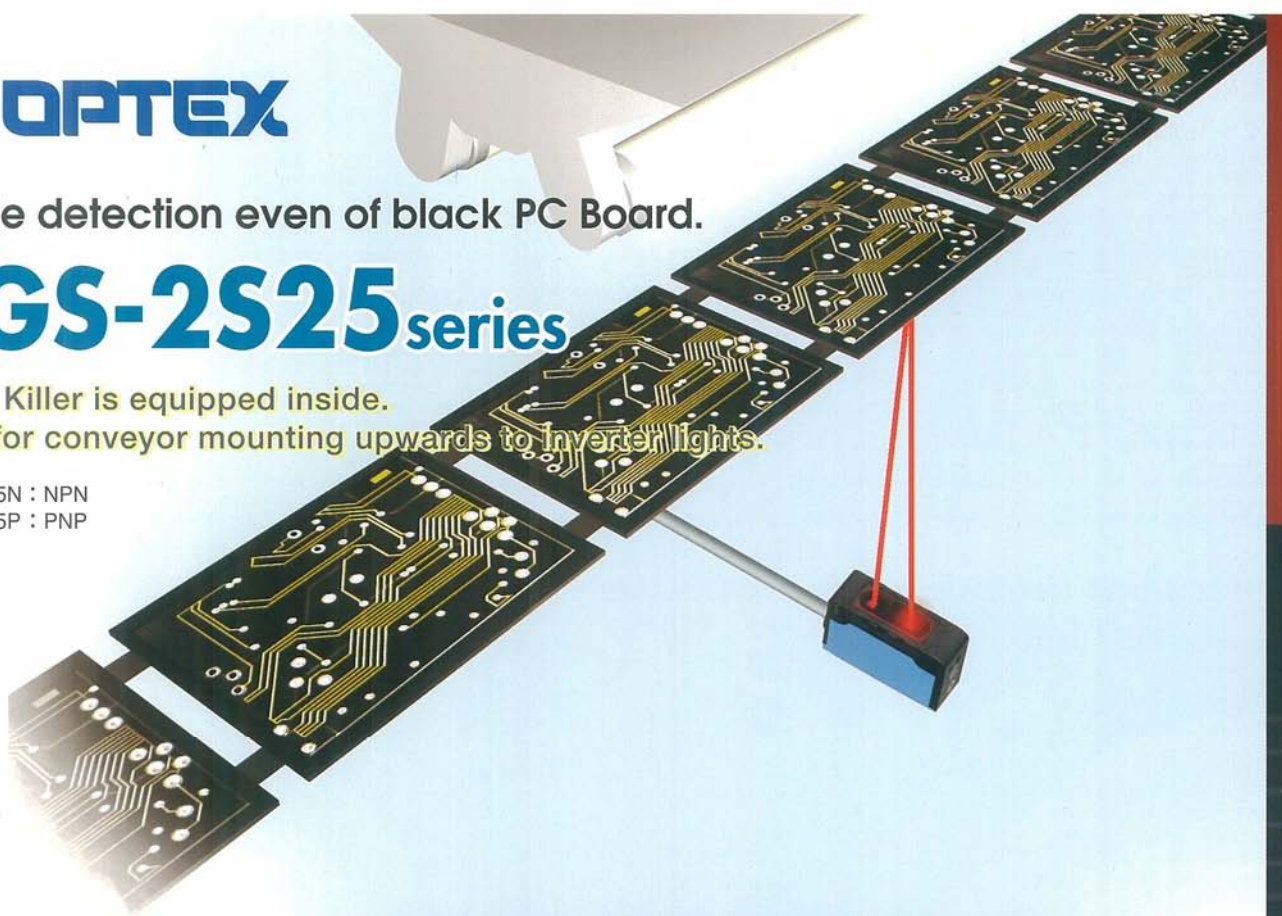


Stable detection even of black PC Board.

# BGS-2S25 series

Noise Killer is equipped inside.  
Ideal for conveyor mounting upwards to Inverter lights.

BGS-2S25N : NPN  
BGS-2S25P : PNP



New product information

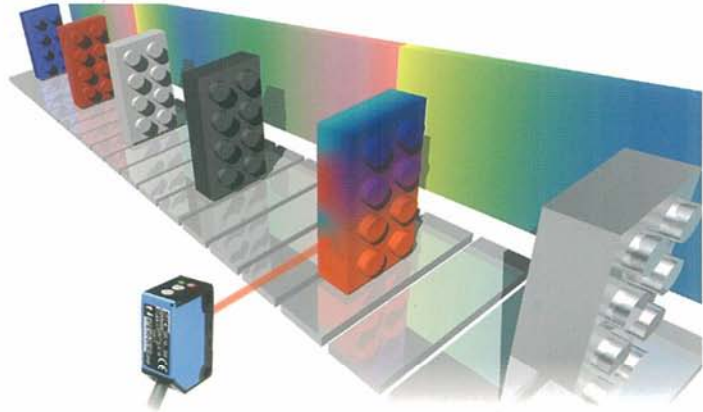
BGS-2S25 SERIES

## Features

One-shot-mold housing in  
11 (w) × 31 (w) × 20 (w) mm  
compact dimensions.



BGS type being influenced neither by substance  
color nor by background.

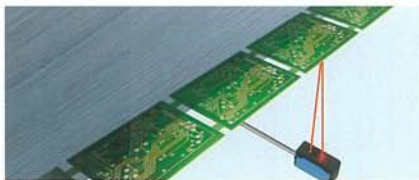


Inverter noise killer equipped,  
ideal for inverter lamp ceiling  
BGS-2S15N



For green or white PC  
Board, with background  
or ceiling of Inverter light.

For low ceiling or close background,  
tough to environment noise  
BGS-2S10N



For green or white PC  
Board, with close distance  
from the ceiling.



BGS-S08N

BGS-2S30N



# World Standard

One product for the whole world

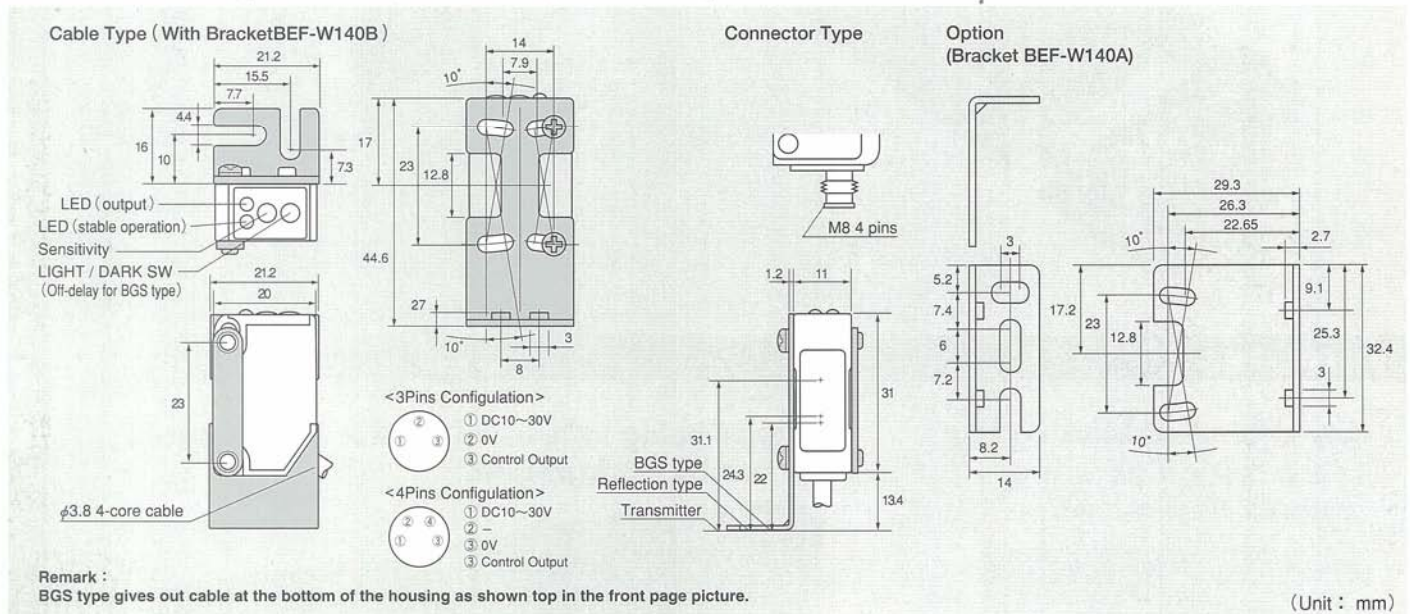


# Specifications

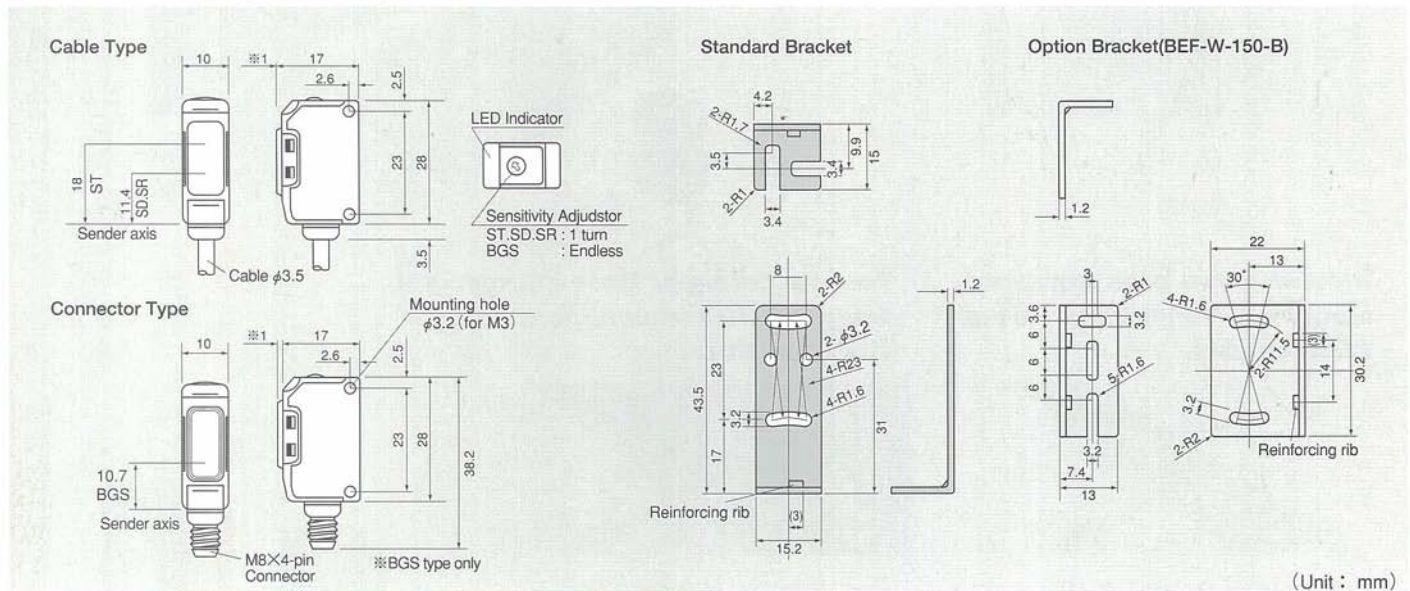
## S2 series BGS types

Cable Type	BGS-2S25N / BGS-2S25P	BGS-2S15N / BGS-2S15P	BGS-2S30N / BGS-2S30P	BGS-2S10N / BGS-2S10P	BGS-S08N / BGS-S08P
Connector type	BGS-2S25CN / BGS-2S25CP	BGS-2S15CN / BGS-2S15CP	BGS-2S30CN / BGS-2S30CP	BGS-2S10CN / BGS-2S10CP	BGS-S08CN / BGS-S08CP
Scanning range	white : 1 - 250mm : grey : 2 - 250mm : black : 5 - 200mm	25 - 150mm	5 - 300mm 10 - 300mm 15 - 200mm	40 - 100mm 40 - 100mm 20 - 70mm	10 - 80mm 10 - 60mm 10 - 50mm
Response	0.5m sec Max				
Repeatability	parallel : 2.0mm : vertical : 0.5mm	1.5mm 0.3mm	2.5mm 0.6mm	1.5mm 0.3mm	1.5mm 0.3mm
Mode	Light, Dark switchable				
Hysteresis	10% Max				
LED indicator	Two-way, Green (Stable), Yellow (output)				Red (stable)
Light source	Red LED				
Supply voltage	DC10 - 30V incl. 10% ripple				
Regulation	JIS / C4525, CE, UL				
Power consumption	30mA Max				20mA Max
Sensitivity adjustment	6 - turn trimmer				5 - turn trimmer
Protection	IEC, IP67				
Shock resistance	50G, XYZ 3 ways				100G, XYZ 3 ways
Materials	PBT with glass (Case), PC(Lens)				
Timer	N/A	N/A	Available as option	N/A	N/A

## Dimensions (BGS-2S15N, BGS-2S10N, BGS-2S25N)



## Dimensions (BGS-S08N)



OPTEX FA CO., LTD.

46-1 Takehanadounomae-cho Yamashina-ku Kyoto 607-8085 Japan  
TEL +81-75-594-8123 FAX +81-75-594-8124



Inverter Noise Killer equipped inside

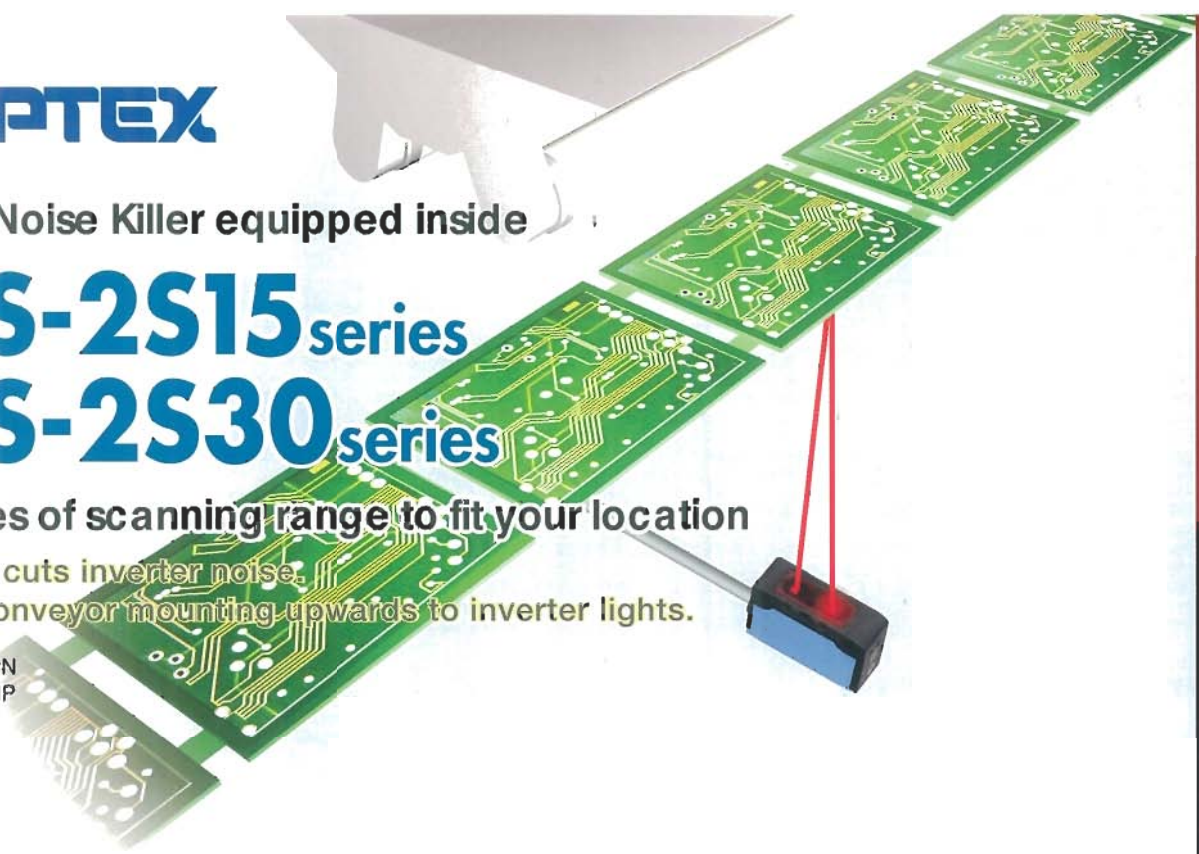
# BGS-2S15 series BGS-2S30 series

Any types of scanning range to fit your location

Inner filter cuts inverter noise.

Ideal for conveyor mounting upwards to inverter lights.

BGS-2S15N : NPN  
BGS-2S15P : PNP



New product information

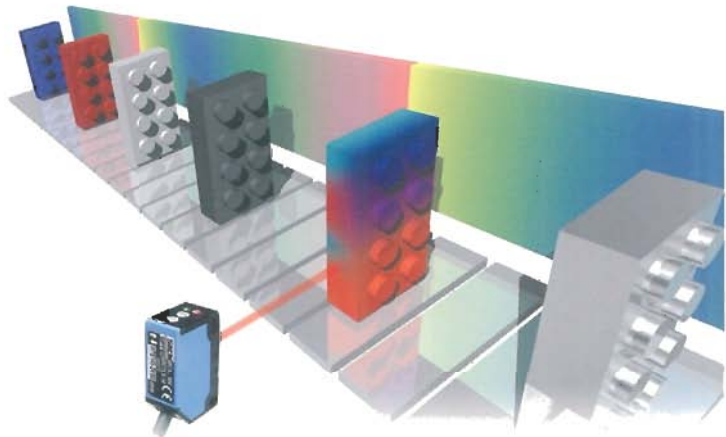
BGS-2S15 SERIES / BGS-2S30 SERIES

## Features

One-shot-mold housing in  
11 (w) × 31 (w) × 20 (w) mm  
compact dimensions.



BGS type being influenced neither by substance  
color nor by background.

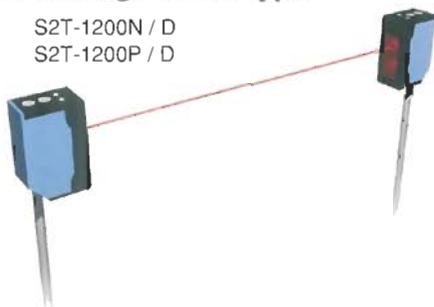


## S2series

Simple and tough, fixed Dark-on type.  
PNP, Connector (3pins, 4pins), types available.  
Polarizing fillter inside, for glittering substances.

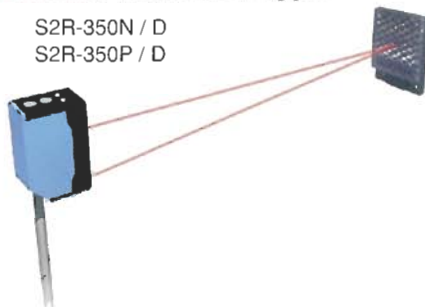
### Through-Beam type

S2T-1200N / D  
S2T-1200P / D



### Retro Reflection type

S2R-350N / D  
S2R-350P / D



BGS type

Standard S2 series



World Standard

One product for the whole world



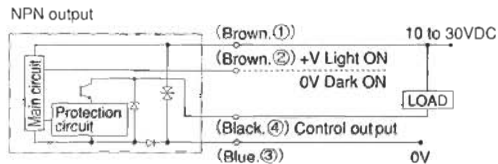
# Specifications

## S2 series <Standard type>

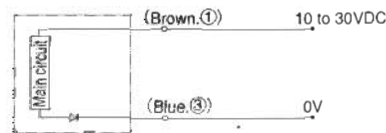
Model	Through-Beam	Retro Reflection	Diffuse Reflection (IR)	Diffuse Reflection (Red)	BGS
Cable type(NPN/PNP)	S2T-1200N / S2T-1200P	S2R-350N / S2R-350P	S2D-80NIR / S2D-80PIR	S2D-80N / S2D-80P	BGS-2S30N / BGS-2S30P
Connector type(NPN/PNP)	S2T-1200CN / S2T-1200CP	S2R-350CN / S2R-350CP	S2D-80CNIR / S2D-80CPIR	S2D-80CN / S2D-80CP	BGS-2S30CN / BGS-2S30CP
Timer type					BGS-2S30NT / BGS-2S30PT BGS-2S30CNT / BGS-2S30CPT BGS-2S15N / BGS-2S15P BGS-2S15NT / BGS-2S15PT
Anti-inverter type	Cable type(NPN/PNP)				
Timer type					
Option	BL-140-POL.F, interference killer				
Scanning Range	12 meter	3.5 meter	80 cm	80 cm	25 - 150mm / 18% (BGS-2S15) 25 - 300mm / 18% (BGS-2S30)
Power consumption	35mA Max	30mA Max		30mA Max	30mA Max
Response	0.5 msec	0.5 msec		0.5 msec	0.5 msec
Mode	Light / Dark On switchable				
Hysteresis	20 %				
Spot Size	400mm @ 7 meter	150mm @ 2.5 meter		150mm @ 2.5 meter	15mm @ 200mm
Emitter LED	Red	Red	Infrared	Red	Red
Supply voltage	DC10 - 30V incl. 10% ripple				
Control output	NPN/PNP open collector, 100mA / 1.8V Max				
Sensitivity adjustment	Single rotatory potentiometer				
Protection Category	IP67				
Timer	N / A				
Shock resistance	50G				
Remarks	(1) 5 meter cable type is available on request of 50pcs a lot. (2) Connector types are prepared for either 3 pins or 4 pins				

## Connection diagram

< Receiver : Standard type >

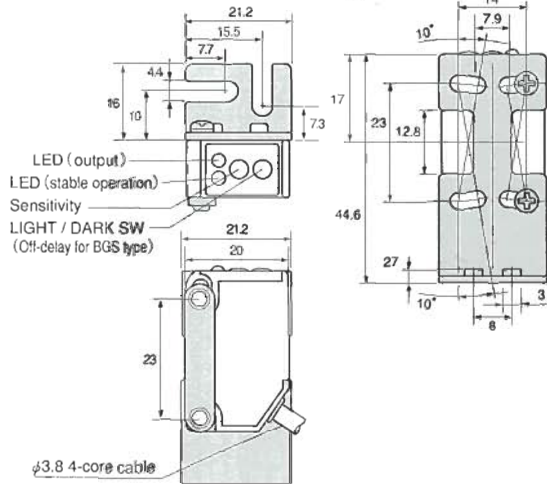


< Emitter : Common to all types >

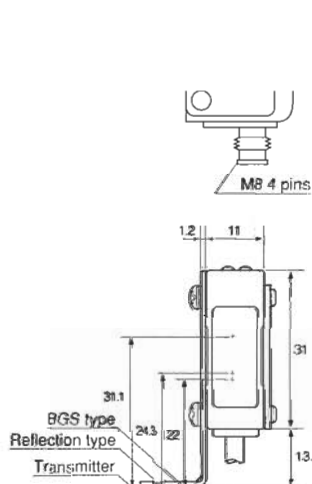


## Dimensions

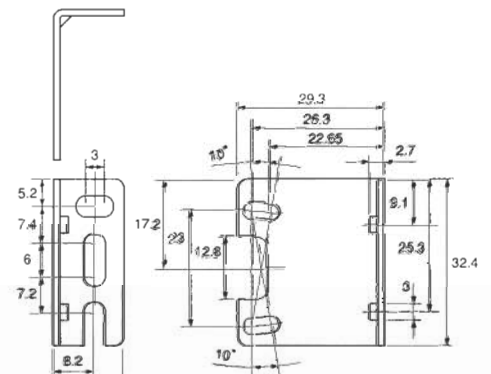
Cable Type ( With Bracket BEF-W140B )



Connector Type



Option (Bracket BEF-W140A)



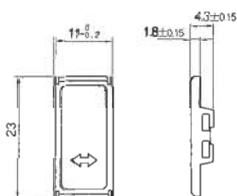
<3Pins Configuration>

- ① DC10~30V
- ② 0V
- ③ Control Output

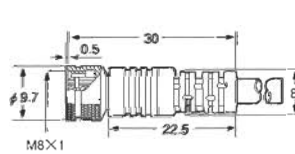
<4Pins Configuration>

- ① DC10~30V
- ② -
- ③ 0V
- ④ Control Output

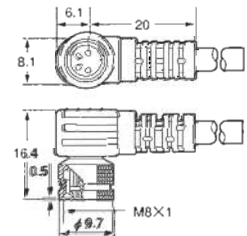
Filter cover  
BL-W140-POL.F



Straight connector  
JCN-S



L-shape connector  
JCN-L



Remark : BGS type gives out cable at the bottom of the housing as shown top in the front page picture.

(Unit : mm)



OPTEX FA CO., LTD.

46-1 Takehanadounomae-cho Yamashina-ku Kyoto 607-8085 Japan  
TEL +81-75-594-8123 FAX +81-75-594-8124