

Fisher® 3311 Electro-Pneumatic Transducer

The Fisher 3311 electro-pneumatic transducer (figure 1) is a rugged, field-mountable transducer that accepts an electrical input signal and converts it to a pneumatic output signal. Typically, the 4 to 20 mA is converted to 0.2 to 1.0 bar (3 to 15 psi). In the most common application, the transducer converts an electrical output signal from a controller to a pneumatic signal necessary to operate a control valve actuator or pneumatic positioner.

The transducer includes a deflector/nozzle design (figure 2) that consists of two nozzles positioned so that the constant air flow exiting the supply nozzle is directed at the entrance of the receiver nozzle. Each nozzle has a large bore of 0.41 mm (0.016 inches), which provides good resistance to plugging. The input current signal positions a deflector bar within the nozzle's flow stream. As the input signal

changes, the deflector bar moves to alter the flow stream to the receiver nozzle, establishing a pilot pressure at the receiver nozzle. The pilot pressure, in turn, controls the booster stage and output of the transducer.

An electronic feedback control network constantly compares the value of the pneumatic output signal with the input current signal. A solid-state pressure sensor is part of the electronics package monitoring the pneumatic output (figure 4). A comparator circuit in the control network detects input-output deviations and adjusts the output by moving the deflector in the pilot stage to a corrected position. Because of this feedback network, the transducer can correct for error-producing effects such as variations in supply pressure and downstream leakage.



W8293

**3311 ELECTRO-PNEUMATIC
TRANSDUCER**



W6307-1 / L

**3311 MOUNTED
ON FISHER 667 ACTUATOR**

Figure 1. Fisher 3311 Electro-Pneumatic Transducer



Specifications

Input Signal

4–20 mA DC, field adjustable split ranging

Equivalent Circuit

See figure 5

Output Signal

Standard Performance: ■ 0.2 to 1.0 bar (3 to 15 psi). Rangeability between 0.1 to 1.2 bar (1 and 18 psi)

Multirange Performance: ■ 0 to 1.2 bar (0 to 18 psi), ■ 0.4 to 2.0 bar (6 to 30 psi), and ■ 0 to 2.3 bar (0 to 33 psi) nominal ranges. Actual rangeability available between 0.03 to 2.3 bar (0.5 and 33 psi)

Action: ■ Direct (increasing input signal increases transducer output) (Minimum span, 6 psi) or ■ Reverse (increasing input signal decreases transducer output) (Minimum span, 11 psi)

Supply Pressure

Standard Performance: 1.2 to 1.6 bar (18 to 24 psi)

Multirange Performance:

Minimum: 0.2 bar (3 psi) [0.14 bar (2 psi) for a 2.3 bar (33 psi) output] greater than the maximum calibrated output pressure.

Maximum: 2.4 bar (35 psi)

Medium: Air or natural gas

Air Quality: Supply pressure must be clean, dry air that meets the requirements of ISA Standard 7.0.01. A maximum 40 micrometer particle size in the air system is acceptable. Further filtration down to 5 micrometer particle size is recommended. Lubricant content is not to exceed 1 ppm weight (w/w) or volume (v/v) basis. Condensation in the air supply should be minimized.

Natural Gas: Natural gas must be clean, dry, oil-free, and noncorrosive. H₂S content should not exceed 20 ppm. Natural gas as the supply medium is only approved for CSA and FM approvals, as specified in tables 2 and 3. The 3311 is not recommended for use with aromatic gas.

Steady-State Air Consumption⁽¹⁾

0.3 normal m³/hr (12 scfh) at 1.4 bar (20 psi) supply pressure

Output Air Capacity⁽¹⁾

Standard Performance: 6.4 normal m³/hr (240 scfh) at 1.4 bar (20 psi) supply pressure

Multirange Performance: 9.7 normal m³/hr (360 scfh) at 2.5 bar (35 psi) supply pressure

Temperature Limits

Operating: –40 to 85°C (–40 to 185°F)

Storage: –40 to 93°C (–40 to 200°F)

Humidity Limits

0–100% condensing relative humidity

Performance⁽²⁾

Linearity, Hysteresis, and Repeatability:

±0.3% of span.

Temperature Effect (total effect including zero and span): ±0.07%/°C (0.045%/°F) of span

Vibration Effect: ±0.3% of span per g during the following conditions:

5–15 Hz at 4 mm constant displacement

15–150 Hz at 2 g. 150–2000 Hz at 1 g.
per SAMA Standard PMC 31.1, Sec. 5.3,
Condition 3, Steady State

Shock Effect: ±0.5% of span, when tested per SAMA Standard PMC 31.1, Sec. 5.4

Supply Pressure Effect: Negligible

Electromagnetic Interference (EMI): Tested per IEC 61326–1 (Edition 1.1). Meets emission levels for Class A equipment (industrial locations) and Class B equipment (domestic locations). Meets immunity requirements for industrial locations (Table A.1). Immunity performance is shown in table 1.

Leak Sensitivity: Less than 1.0% of span for up to 4.8 normal m³/hr (180 scfh) downstream leakage

Overpressure Effect: Less than 0.25% of span for misapplication of up to 7.0 bar (100 psi) supply pressure for less than 5 minutes to the input port

Reverse Polarity Protection: No damage occurs from reversal of normal supply current (4–20 mA) or from misapplication of up to 100 mA

– continued –

Specifications (Continued)

Connections

Supply and Output Pressure: 1/4–18 NPT internal connection
Electrical: 1/2–14 NPT internal conduit connection

Adjustments

Zero and Span: Screwdriver adjustments located in terminal compartment.

Remote Pressure Reading (optional)

ON or OFF; jumper selectable
Frequency Range: 5,000–8,000 Hz.
Amplitude: 0.4–1.0 V_{p-p}

Required Operating Voltage

Min. 6.0 V (at 4 mA)
Max. 7.2 V (at 20 mA)

with Remote Pressure Reading ON

Min. 6.4 V (at 4 mA)
Max. 8.2 V (at 20 mA)

Electrical Classification

Hazardous Area

CSA—Intrinsically Safe, Flameproof, Div. 2
FM—Intrinsically Safe, Flameproof, Dust-Ignition Proof
ATEX—Intrinsically Safe & Dust, Flameproof & Dust, Type n & Dust

IECEX—Intrinsically Safe & Dust, Flameproof & Dust, Type n & Dust

GOST—Intrinsically Safe, Flameproof, Type n
Refer to tables 2, 3, 4, 5, and 6 for additional information.

Electrical Housing:

CSA—Type 4X
FM—NEMA 4X
ATEX—IP66
IECEX—IP66
Tropicalization (Fungus test per MIL–STD–810)

Construction Materials

Housing: ■ Low-copper aluminum with polyurethane paint, or ■ CF8M
O-Rings: Nitrile, except silicone for sensor O-rings.

Mounting

■ Actuator, ■ pipestand, or ■ surface

Weight

Aluminum: 2.9 kg (6.5 lb) excluding options
Stainless Steel: 6.7 kg (14.8 lb) excluding options

Options

■ Fisher 67CFR filter regulator, ■ supply and output gauges, ■ remote pressure reading, or ■ stainless steel mounting bracket

NOTE: Specialized instrument terms are defined in ANSI/ISA Standard 51.1 – Process Instrument Terminology
1. Normal m³/hr: normal cubic meters per hour (m³/hr, 0°C and 1.01325 bar, absolute). Scfm: standard cubic feet per minute (ft³/min, 60°F and 14.7 psig).
2. Performance values are obtained using a transducer with a 4 to 20 mA dc input signal, a 3 to 15 psig output, and 20 psig supply pressure.

Table 1. EMC Immunity Performance Criteria

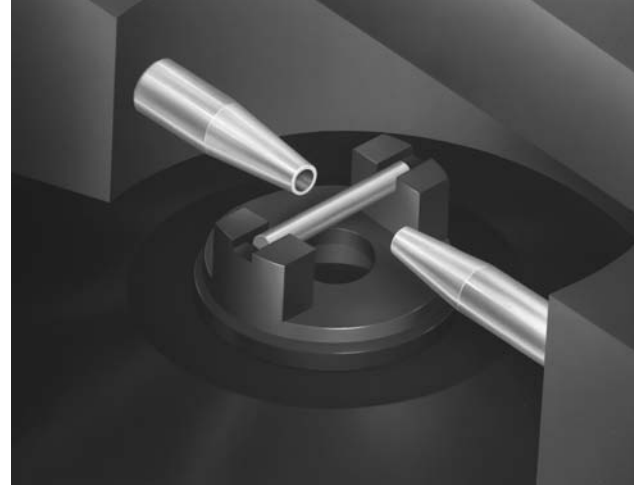
Port	Phenomenon	Basic Standard	Test Level	Performance Criteria ⁽¹⁾
Enclosure	Electrostatic discharge (ESD)	IEC 61000–4–2	4 kV contact 8 kV air	A
	Radiated EM field	IEC 61000–4–3	80 to 1000 MHz @ 10V/m with 1 kHz AM at 80%	A
	Rated power frequency magnetic field	IEC 61000–4–8	60 A/m at 50 Hz	A
I/O signal/control	Burst (fast transients)	IEC 61000–4–4	1 kV	A
	Surge	IEC 61000–4–5	1 kV (line to ground only, each)	B
	Conducted RF	IEC 61000–4–6	150 kHz to 8 MHz at 3 Vrms	B
8 MHz to 80 MHz at 3 Vrms			A	

Specification limit = ±1% of span
1. A = No degradation during testing. B = Temporary degradation during testing, but is self-recovering.

3311 Transducer

Features

- **Vibration Resistant**—The low-mass pilot stage, mechanically damped deflector bar, and rugged construction provide stable performance in vibration.
- **Large Diameter Nozzles**—Large diameter nozzles, free-flow pilot stage design, and large internal pneumatic supply passages provide excellent tolerance to reducing the effects of contaminant buildup and erosion.
- **Increased Accuracy, Reduced Sensitivity to Supply Pressure Variations and Downstream Leakage**—The electronic feedback control network monitors the pneumatic output signal, detects any input-output deviations and corrects them. This provides very high accuracy and allows the transducer to sense changes in the final element condition and rapidly optimize its air delivery.
- **Easy Maintenance**—Major mechanical and electrical components are incorporated into a single field-replaceable “master module” (figure 3). The transducer does not have to be removed from its mounting to facilitate troubleshooting or service. A separate field wiring compartment eases installation and maintenance.

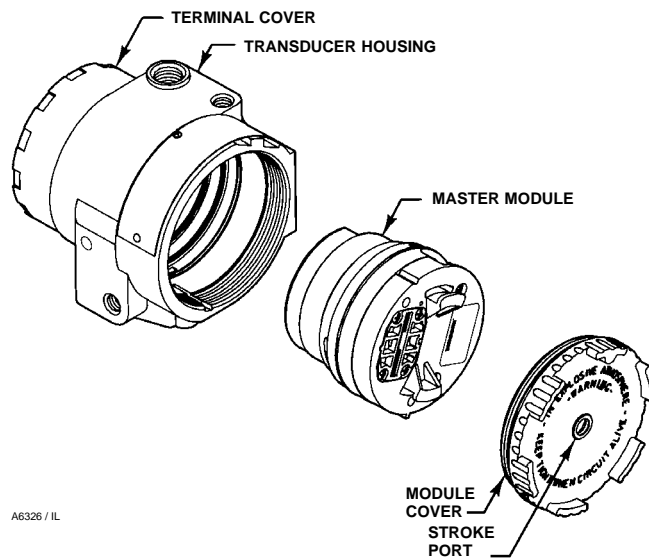


W6287 / IL

Figure 2. Detail of Deflector/Nozzle Pilot Stage

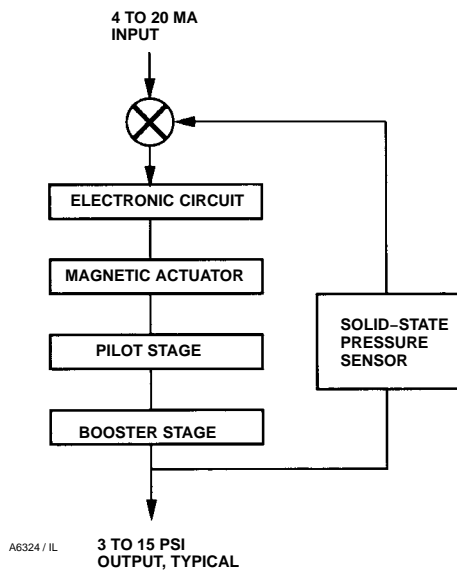
- **Quick Diagnostic Checks and Remote Performance Monitoring**—With *Stroke Port*, a constant bleed from the pilot stage vents through a hole in the module cover. Covering the hole increases the transducer output to confirm the proper operation of the pilot and booster stages and stroke the actuator. With optional *Remote Pressure Reading*, a frequency directly proportional to the output pressure is superimposed on the input signal wires.

Using a 275 HART™ Communicator or frequency counter, an operator can monitor the 3311 output pressure.



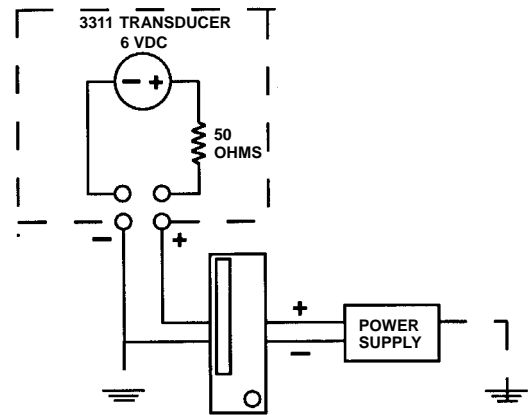
A6326 / IL

Figure 3. Master Module Construction



A6324 / IL

Figure 4. Functional Block Diagram



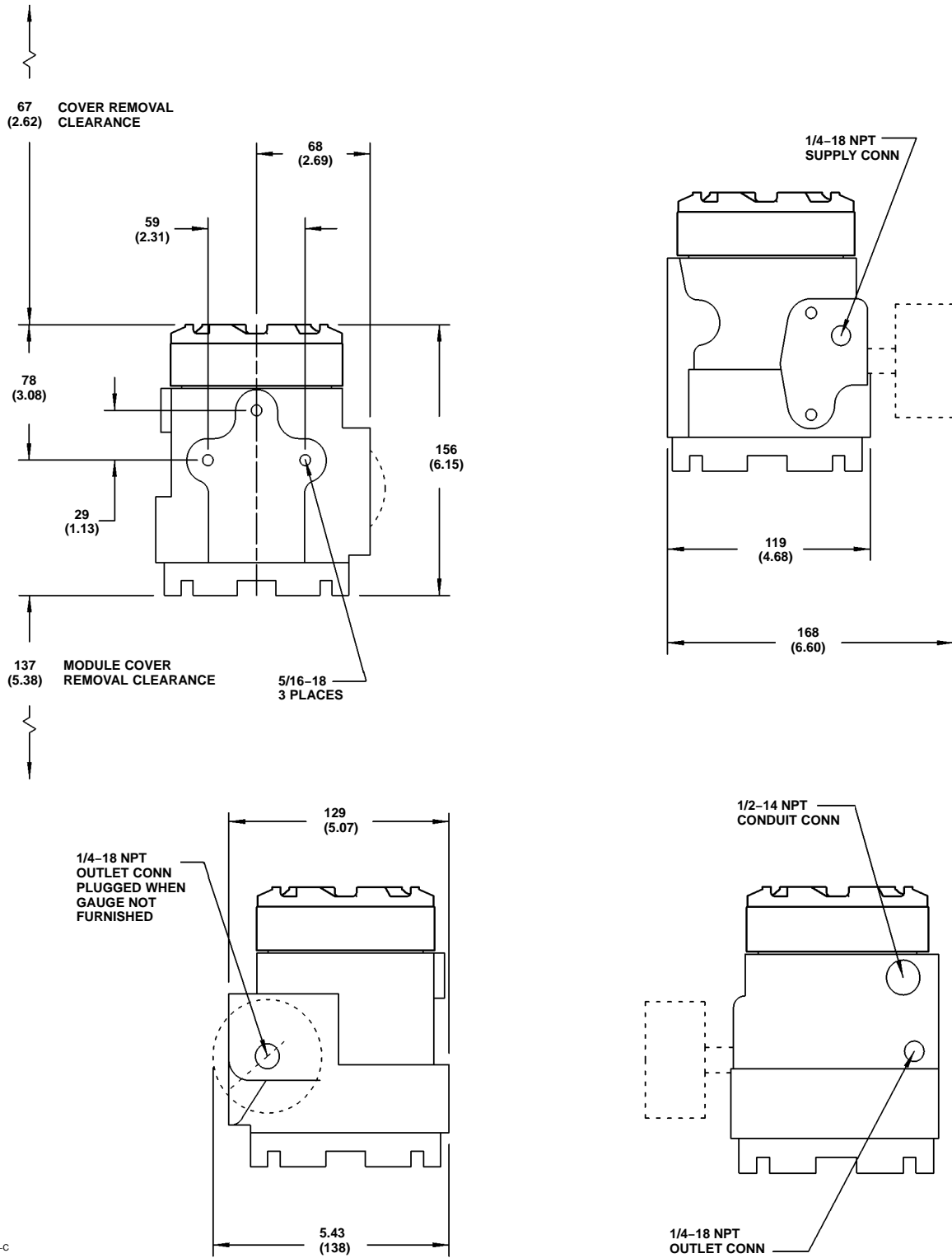
NOTE:
THE 3311 IS NOT A CONSTANT RESISTOR IN SERIES WITH AN INDUCTOR. IT IS BETTER MODELED IN THE LOOP AS A 50 OHM RESISTOR IN SERIES WITH A 6-VOLT DC VOLTAGE DROP WITH NEGLIGIBLE INDUCTANCE.

A6325 / IL

Figure 5. Equivalent Circuit

3311 Transducer

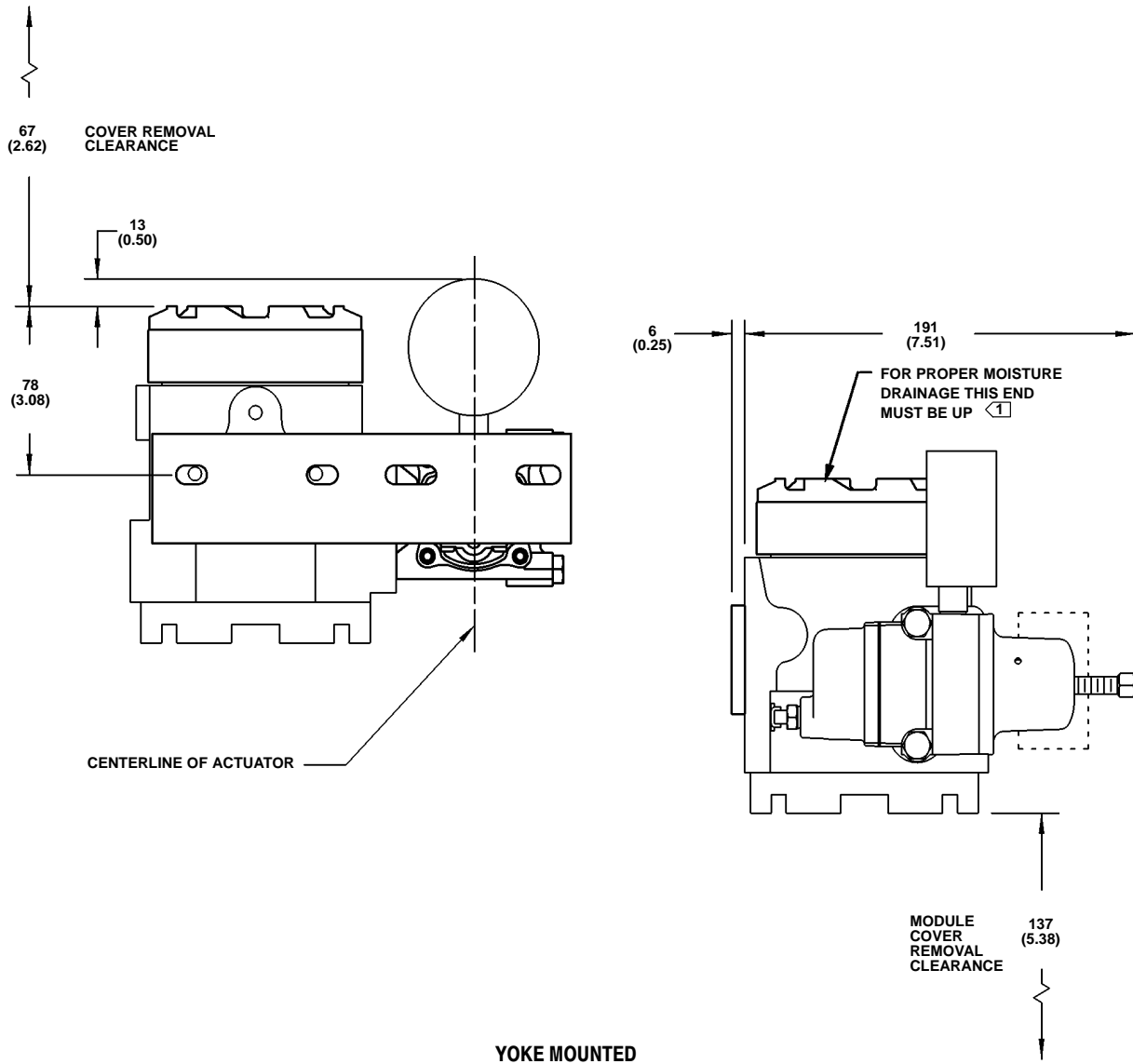
Product Bulletin
62.1:3311
May 2010



14B7364-C

mm
(INCH)

Figure 6. Dimensions



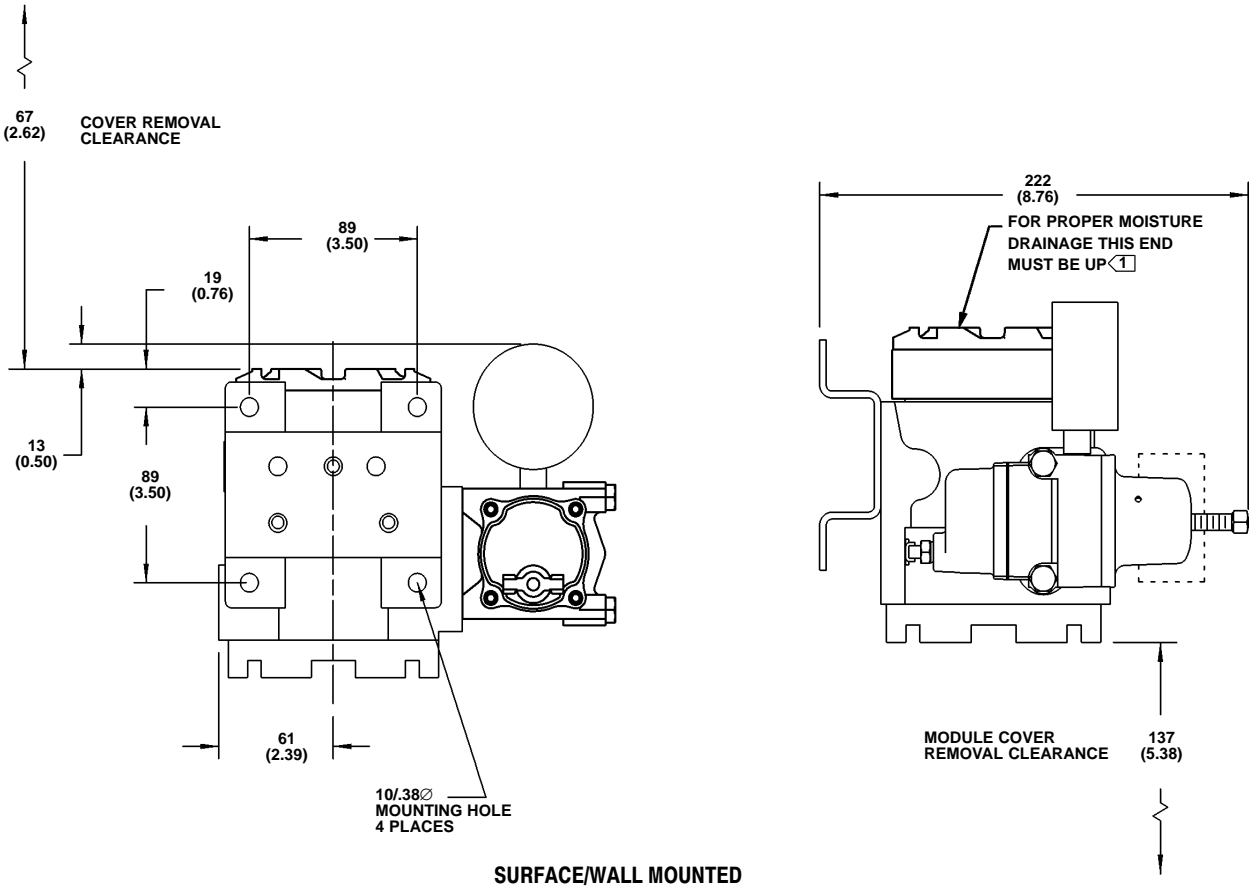
NOTE:

1 THE MOUNTING POSITIONS SHOWN ALLOW ANY MOISTURE BUILDUP IN THE TERMINAL COMPARTMENT TO DRAIN TO THE SIGNAL WIRE CONDUIT ENTRANCE. DO NOT MOUNT THE TRANSDUCER WITH THE TERMINAL COMPARTMENT COVER ON THE BOTTOM; MOISTURE MAY ACCUMULATE IN THE TERMINAL COMPARTMENT OR PILOT STAGE, PREVENTING PROPER TRANSDUCER OPERATION. THE VERTICAL MOUNT IS MOST EFFECTIVE FOR MOISTURE DRAINAGE IN WET APPLICATIONS.

1487361-D

mm
(INCH)

Figure 7. Dimensions with Optional Fisher 67 Filter-Regulator (Yoke Mounted)



NOTES:
 1 THE MOUNTING POSITIONS SHOWN ALLOW ANY MOISTURE BUILDUP IN THE TERMINAL COMPARTMENT TO DRAIN TO THE SIGNAL WIRE CONDUIT ENTRANCE. DO NOT MOUNT THE TRANSDUCER WITH THE TERMINAL COMPARTMENT COVER ON THE BOTTOM; MOISTURE MAY ACCUMULATE IN THE TERMINAL COMPARTMENT OR PILOT STAGE, PREVENTING PROPER TRANSDUCER OPERATION. THE VERTICAL MOUNT IS MOST EFFECTIVE FOR MOISTURE DRAINAGE IN WET APPLICATIONS.

mm
(INCH)

Figure 8. Dimensions with Optional Fisher 67 Filter-Regulator (Surface/Wall Mounted)

Installation

The transducer may be actuator, wall, panel, or pipestand mounted. Dimensions are shown in figures 7, 8, and 9.

mounting, specify the actuator type, size, travel, and diaphragm pressure range. For all 657 and 667 actuators except size 80, specify whether actuator yoke or actuator casing mounting is desired (yoke mounting only is available on size 80 actuators).

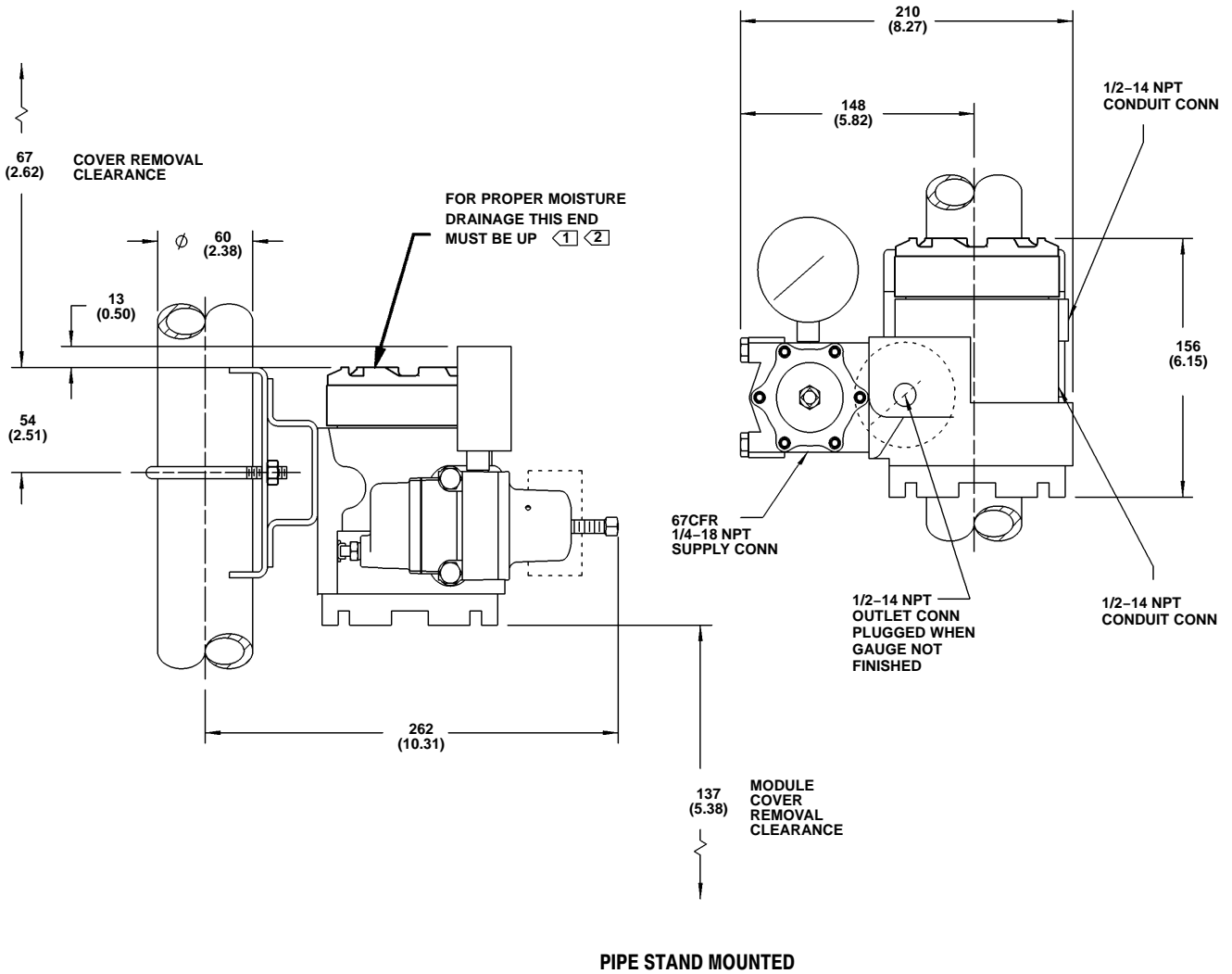
Ordering Information

To determine what ordering information is required, refer to the specification table. Carefully review the description of each specification. Specify the desired choice whenever there is a selection available.

When ordering mounting parts, specify actuator, surface, or pipestand mounting. For actuator

Note

Neither Emerson, Emerson Process Management, nor any of their affiliated entities assumes responsibility for the selection, use, or maintenance of any product. Responsibility for the selection, use, and maintenance of any product remains with the purchaser and end user.



NOTES:

- (1) THE MOUNTING POSITIONS SHOWN ALLOW ANY MOISTURE BUILDUP IN THE TERMINAL COMPARTMENT TO DRAIN TO THE SIGNAL WIRE CONDUIT ENTRANCE. DO NOT MOUNT THE TRANSDUCER WITH THE TERMINAL COMPARTMENT COVER ON THE BOTTOM; MOISTURE MAY ACCUMULATE IN THE TERMINAL COMPARTMENT OR PILOT STAGE, PREVENTING PROPER TRANSDUCER OPERATION. THE VERTICAL MOUNT IS MOST EFFECTIVE FOR MOISTURE DRAINAGE IN WET APPLICATIONS.
- (2) IF MOUNTED ON HORIZONTAL PIPE, THE I/P MUST BE ON TOP OF THE PIPE FOR PROPER MOISTURE DRAINAGE.

14B7363-D

mm
(INCH)

Figure 9. Dimensions with Optional Fisher 67 Filter-Regulator (Pipe Stand Mounted)

Table 2. Hazardous Area Classifications for Canada—CSA

Certification Body	Certification Obtained	Entity Rating	Temperature Code	Enclosure Rating
CSA	Intrinsically Safe Ex ia Intrinsically Safe Class I Division 1 Groups A,B,C,D T4 per drawing GE27760 Approved for use with natural gas	---	T4 (Tamb ≤ 40°C)	TYPE 4X
	Explosion Proof Class I Division 1 Groups C,D Approved for use with natural gas	---	T4 (Tamb ≤ 80°C)	TYPE 4X
	Class I, Division 2, Groups A,B,C,D Class II, III Division 1, Groups E,F,G Approved for use with natural gas	---		TYPE 4X

Table 3. Hazardous Area Classification for United States—FM

Certification Body	Certification Obtained	Entity Rating	Temperature Code	Enclosure Rating
FM	Intrinsically Safe Class I, II, III Division 1 Groups A,B,C,D,E,F,G per drawing GE27760 Approved for use with natural gas	Vmax = 40 VDC Imax = 185 mA Ci = 0.016 µF Li = 20 µH	T5 (Tamb ≤ 60°C)	NEMA 4X
	Explosion Proof Class I, Division 1, Groups B,C,D Approved for use with natural gas – Groups C,D only	---	T5 (Tamb ≤ 60°C)	NEMA 4X
	Class I, Division 2, Groups A,B,C,D Class II, III Division 1, Groups E,F,G Not approved for use with natural gas	---	T5 (Tamb ≤ 60°C)	NEMA 4X

Table 4. Hazardous Area Classifications—ATEX⁽¹⁾

Certificate	Certification Obtained	Entity Rating	Temperature Code	Enclosure Rating
ATEX	Intrinsically Safe Ⓢ II 1 G & D Gas EEx ia IIC T4,T5 Dust T 90°C (Tamb = 80°C)	Ui = 40 VDC Ii = 200 mA Pi = 1.0 W Ci = 8 nF Li = 20 µH	T4 (Tamb ≤ 80°C) T5 (Tamb ≤ 40°C)	IP66
	Flameproof Ⓢ II 2 G & D Gas EEx d IIB T5/T6 Dust T 90°C (Tamb = 80°C)	---	T5 (Tamb ≤ 80°C) T6 (Tamb ≤ 65°C)	IP66
	Type n Ⓢ II 3 G & D Gas EEx nL IIC T5,T6 Dust T 95°C (Tamb = 85°C)	---	T5 (Tamb ≤ 85°C) T6 (Tamb ≤ 74°C)	IP66

1. Not approved for use with natural gas as the supply medium.

Table 5. Hazardous Area Classifications—IECEX⁽¹⁾

Certificate	Certification Obtained	Entity Rating	Temperature Code	Enclosure Rating
IECEX	Intrinsically Safe Gas Ex ia IIC T4/T5 Dust DIP A20 TA 90°C/TA 50°C IP66	$U_i = 40$ VDC $I_i = 200$ mA $P_i = 1.0$ W $C_i = 8$ nF $L_i = 20$ μ H	T4 ($T_{amb} \leq 80^\circ\text{C}$) T5 ($T_{amb} \leq 40^\circ\text{C}$)	IP66
	Flameproof Gas Ex d IIB T5/T6 Dust DIP A21 TA 90°C IP66	---	T5 ($T_{amb} \leq 80^\circ\text{C}$) T6 ($T_{amb} \leq 65^\circ\text{C}$)	IP66
	Type n Gas Ex nL IIC T5/T6 Dust DIP A22 TA 90°C/TA 85°C IP66	---	T5 ($T_{amb} \leq 80^\circ\text{C}$) T6 ($T_{amb} \leq 75^\circ\text{C}$)	IP66
	Dust DIP A20 TA 90°C IP66	---	---	IP66

1. Not approved for use with natural gas as the supply medium.

Table 6. Hazardous Area Classifications—GOST⁽¹⁾

Certificate	Certification Obtained	Entity Rating	Temperature Code	Enclosure Rating
GOST	Intrinsically Safe Gas Ex ia IIC T4/T5	$U_i = 30$ V $I_i = 200$ mA $P_i = 1.2$ W $C_i = 10$ nF $L_i = 20$ μ H	T4 ($T_{amb} \leq 80^\circ\text{C}$) T5 ($T_{amb} \leq 40^\circ\text{C}$)	IP66
	Flameproof Gas Ex d IIB T5/T6	---	T5 ($T_{amb} \leq 80^\circ\text{C}$) T6 ($T_{amb} \leq 65^\circ\text{C}$)	IP66
	Type n Gas Ex nL IIC T5/T6	---	T5 ($T_{amb} \leq 80^\circ\text{C}$) T6 ($T_{amb} \leq 74^\circ\text{C}$)	IP66

1. Not approved for use with natural gas as the supply medium.

Fisher is a mark owned by one of the companies in the Emerson Process Management business division of Emerson Electric Co. Emerson Process Management, Emerson, and the Emerson logo are trademarks and service marks of Emerson Electric Co. All other marks are the property of their respective owners.

The contents of this publication are presented for informational purposes only, and while every effort has been made to ensure their accuracy, they are not to be construed as warranties or guarantees, express or implied, regarding the products or services described herein or their use or applicability. All sales are governed by our terms and conditions, which are available upon request. We reserve the right to modify or improve the designs or specifications of such products at any time without notice. Neither Emerson, Emerson Process Management, nor any of their affiliated entities assumes responsibility for the selection, use or maintenance of any product. Responsibility for proper selection, use, and maintenance of any product remains solely with the purchaser and end user.

Emerson Process Management

Marshalltown, Iowa 50158 USA

Sorocaba, 18087 Brazil

Chatham, Kent ME4 4QZ UK

Dubai, United Arab Emirates

Singapore 1233111 Singapore

www.Fisher.com

